

Oster®



Model OBL104

INSTRUCTION MANUAL
VERSA
PERFORMANCE BLENDER

PLEASE READ ALL INSTRUCTIONS BEFORE USING THIS APPLIANCE

FIG. 1

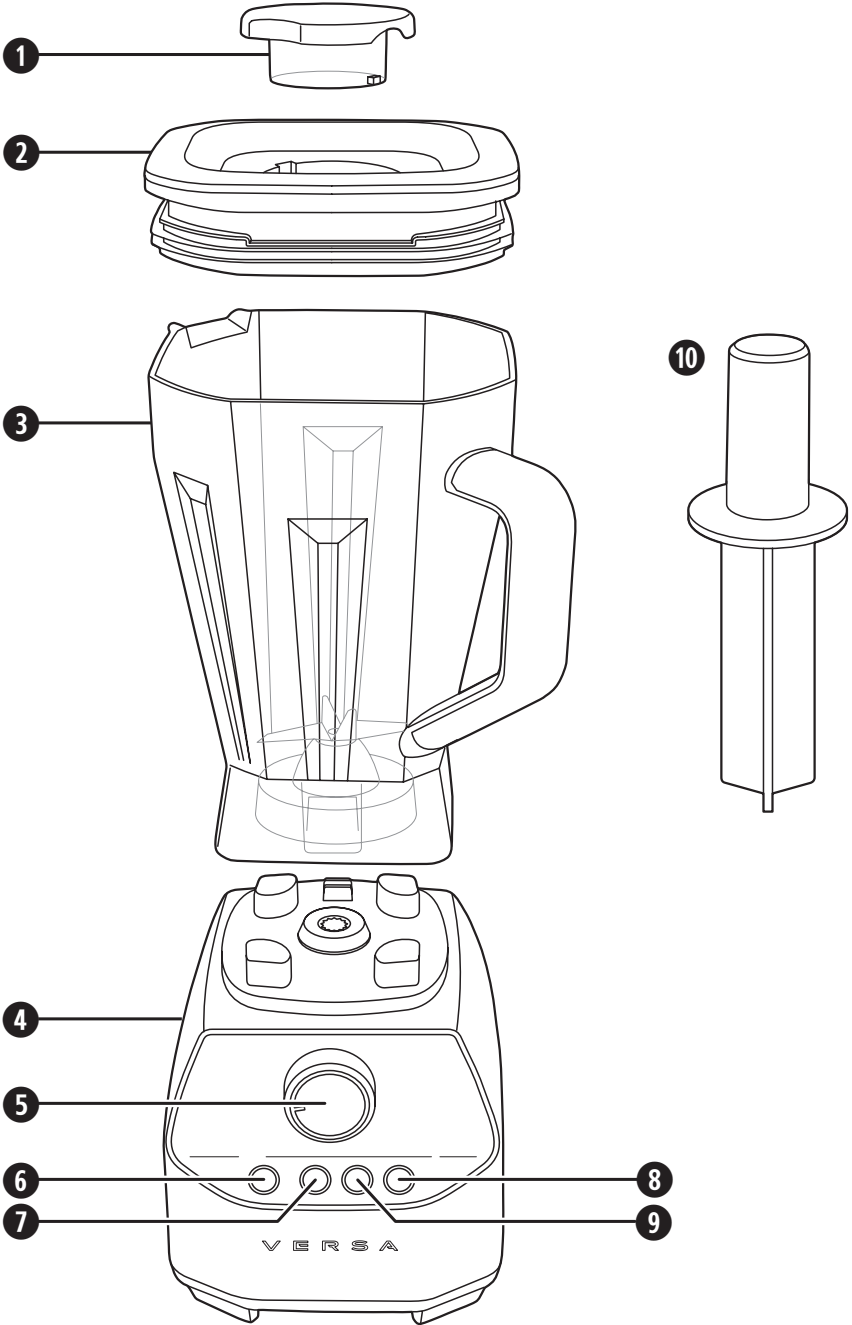


FIG. 2

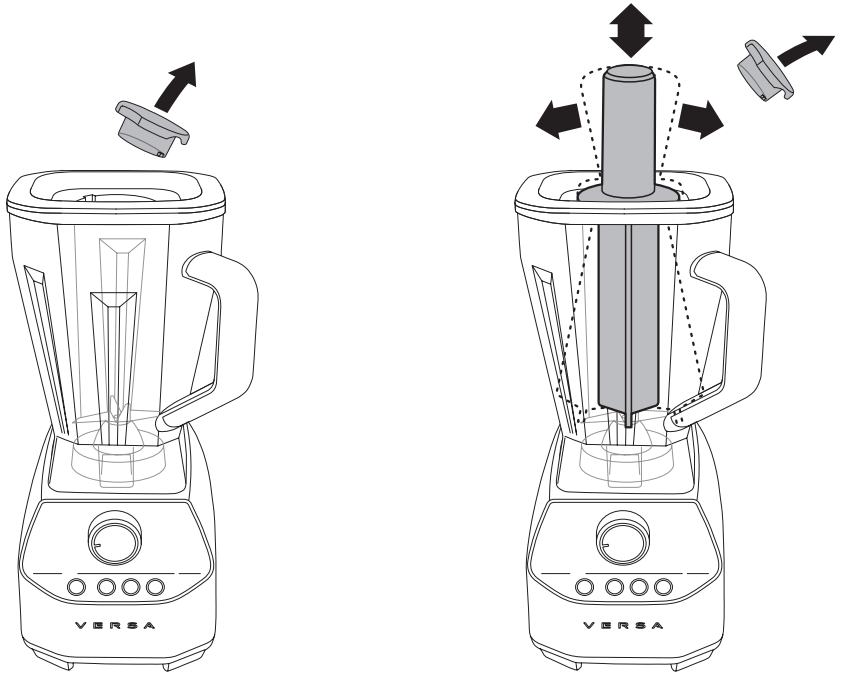


FIG. 3

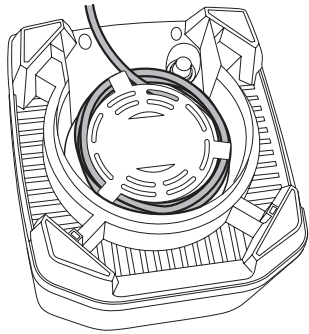
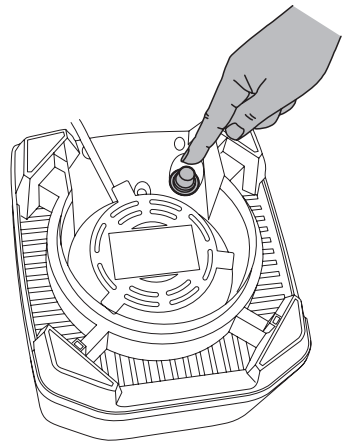


FIG. 4



IMPORTANT SAFEGUARDS

READ ALL INSTRUCTIONS BEFORE USE

This appliance can be used by children aged from 8 years and above and persons with reduced physical, sensory or mental capabilities or lack of experience and knowledge if they have been given supervision or instruction concerning use of the appliance in a safe way and understand the hazards involved. Children shall not play with the appliance. Cleaning and user maintenance shall not be made by children without supervision.

Always disconnect the appliance from the mains supply socket if it is left unattended and before assembling, disassembling or cleaning.

If the supply cord is damaged, it must be replaced by the manufacturer, its service agent or similarly qualified persons in order to avoid a hazard.

- Never use this appliance for anything other than its intended use. This appliance is for household use only. Do not use this appliance outdoors.
- Always ensure that hands are dry before handling the plug or switching on the appliance.
- Always place the appliance directly on a stable, secure, dry and level surface.
- This appliance must not be placed on or near any potentially hot surfaces (such as a gas or electric hob).
- Never immerse any part of the appliance or power cord and plug in water or any other liquid.
- Never let the power cord hang over the edge of a work top, touch hot surfaces or become knotted, trapped or pinched.
- Do not use the appliance if it has been dropped, if there are any visible signs of damage or if it is leaking.
- Never use any accessory or attachment not recommended by the manufacturer.
- Make sure that all attachments are securely and correctly fitted before operating the appliance.
- The blades have very sharp edges. Take care when handling or cleaning them.
- Allow moving parts to come to a stop before changing or cleaning accessories.
- Rotating blades can cause severe damage or personal injury. Never place any utensil (other than the tamper supplied) or your hands into the blending jug when the unit is operating, the unit is plugged in or the blending jug is on the motor unit.
- Never attempt to fit or remove the jug to the motor base when the motor is running.
- The blending jug should not be more than 2/3 full (1250 ml) when the tamper is left in while blending. Do not exceed 30 seconds of continuous blending with the tamper in place.
- When making nut butters or oil based foods, do not process for more than one minute after the mixture starts circulating. Over-processing can cause dangerous overheating.
- Use caution when processing hot liquids. The lid and stopper must be securely locked in place. This will allow steam to escape naturally, and will prevent the lid from coming off when the machine is turned on. Always start processing at a low speed then gradually increase to the required speed. Never start processing hot liquids on a high speed.
- Always operate your blender with the lid and stopper fitted. The stopper should only be removed when adding ingredients or when using the tamper.

PARTS (FIG 1)

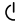
- | | | | |
|---|-------------------|---|-----------------|
| ❶ | Stopper / measure | ❹ | Soup button |
| ❷ | Lid | ❺ | Tamper |
| ❸ | Blending jug | ❻ | Pulse button |
| ❹ | Motor unit | ❼ | Smoothie button |
| ❺ | Speed control | ❽ | Dip button |



USING YOUR BLENDER

Your blender will not operate unless the blending jug is correctly fitted onto the motor unit. Rotating blades can cause severe damage or personal injury. Never place any utensil (other than the tamper supplied) or your hands into the blending jug when the unit is operating, the unit is plugged in or the blending jug is on the motor unit.

1. Place the blending jug onto the motor unit. The blending jug handle can be on the left or the right.
2. Place the ingredients into the blending jug then fit the lid and stopper. Fit the stopper by aligning the prongs on the stopper with the notches in the lid. Turn the stopper clockwise to secure.

Manual control


Turn the speed control clockwise to the desired speed. Start with low speeds then gradually increase. To stop your blender, turn the speed control to the  position.

The pulse button gives greater control over blending consistency. To use the pulse function turn the speed control fully anticlockwise to the  position. The red ring around the pulse button will slowly flash. Press the pulse button as required. When you have finished, turn the speed control clockwise to the  position.

Programmed settings

Your Versa blender has three programmed settings:

- Smoothie—for making milkshakes, protein drinks and shakes, healthy fruit and vegetable drinks, crushed ice drinks, etc.
- Soup—the processing speed of this setting will heat the ingredients to approximately 80°C to make delicious, fresh, hot vegetable soups from raw ingredients.
- Dips—use this setting to make pesto's, hummus, spreads (such as peanut butter, chocolate and hazelnut), etc.

To use the programmed settings turn the speed control fully anticlockwise to the  position. Next, press the desired program button. The selected program will start and the blue ring around the button will slowly flash. To stop the program, press any button.

Tamper

The tamper helps to keep ingredients circulating and prevent air bubbles from forming which can cause inefficient processing. Using the tamper correctly can greatly speed up processing thick or frozen ingredients. To use the tamper, start the unit then remove the stopper and insert the tamper through the opening in the lid (fig. 2).

- The blending jug should not be more than 2/3 full (1250ml) when using the tamper.
- Do not use the tamper for more than 30 seconds of continuous processing.
- Move the tamper up and down and from side to side.
- Only use the tamper through the hole in the lid. This will prevent the specially designed tamper from touching the blades as they revolve.

BLENDING TIPS

- Do not operate for more than 10 minutes at a time.
- The blending jug should be at least ¼ full at all times for optimal performance.
- Use higher speeds as much as possible for whole food juices, soups, milkshakes, frozen mixtures, making purées and nut butters. The processing times will generally be less than one minute (most take less than 30 seconds). High speeds break down ice, frozen fruit, whole fruits or vegetables to a smooth lump-free consistency.
- If the food is not circulating try using the tamper. If this is also not working, try using a slower speed. Once the food begins to circulate again, you can switch back to a higher speed.
- Due to the power of your blender, it is normal for it to be fairly loud during operation. The sound your blender makes may change during blending but there is no need to be concerned.
- To crush ice, fill the jar with the desired quantity of ice and add cold water to the same level as the ice. Blend on a high speed for a few seconds then pour off the excess water to leave the crushed ice behind.

CARE AND CLEANING

Make sure the unit is switched off and unplugged from the mains supply socket before cleaning. The blades are very sharp, take care when washing them. Do not immerse the motor unit, power cord or plug in water or any other liquid.

Cleaning the blending jug

1. Half fill the blending jug with warm water and add two drops of detergent. Fit the lid and stopper.
2. Set the speed control to low and gradually increase to high. Allow your blender to run for 30-60 seconds then turn the speed control to the \odot position.
3. Remove the blending jug from the motor base and rinse. Wipe down the outside of the blending jug using a damp cloth or sponge. Allow to dry thoroughly.

Cleaning the lid, stopper and motor base

- Wash the lid and stopper in warm, soapy water. Rinse and dry thoroughly.
- Wipe down the motor base using a damp cloth or sponge and dry thoroughly. Make sure you only use a mild detergent solution.
- Do not wash the blending jug, lid or stopper in a dishwasher.

Storing

After cleaning, store your blender with the lid loosely fitted to allow air to circulate and prevent odours from developing. The power cord can be stored underneath the base (fig. 3).

TROUBLESHOOTING

If your blender does not turn on:

1. Turn the speed control to the \odot position and unplug your blender from the electrical outlet.
2. Remove the blending jug from the base and make sure the blade is free from any obstruction.
3. Plug the unit back in.
4. Make sure the blending jug is securely placed on the motor unit.
5. Restart the unit by turning the speed control to the desired setting.

If your blender stops during operation:

The motor is designed to protect itself from overheating and if this happens, the overload protection device will be activated and the motor will turn itself off. To reset the motor:

1. Turn the speed control to the \odot position and unplug your blender from the electrical outlet.
2. Remove the blending jug from the base and make sure the blade is free from any obstruction.
3. Wait 30-45 minutes for the unit to cool.
4. Press the reset button located underneath the base (fig. 4).
5. To restart your blender, turn the speed control to the \odot position and plug your blender into the electrical outlet.
6. Make sure the blending jug is securely placed on the motor unit.
7. Restart unit by turning the speed control to the desired setting.

If your blender will still not operate, it has not cooled sufficiently. Turn the speed control to the \odot position and wait another 10-20 minutes before trying again.

GUARANTEE

7 Years Limited Warranty

Jarden Consumer Solutions (Europe) Limited, ("JCS (Europe)") warrants that for a period of 7 years from the date of purchase, this product will be free from defects in material and workmanship. JCS (Europe), at its option, will repair or replace this product or any component of the product found to be defective during the warranty period. Replacement will be made with a new or remanufactured product or component. If the product is no longer available, replacement may be made with a similar product of equal or greater value. This is your exclusive warranty. Do NOT attempt to repair or adjust any electrical or mechanical functions on this product. Doing so will void this warranty.

This warranty is valid for the original retail purchaser from the date of initial retail purchase and is not transferable. Keep the original sales receipt. Proof of purchase is required to obtain warranty performance. JCS (Europe) dealers, service centers, or retail stores selling JCS (Europe) products do not have the right to alter, modify or any way change the terms and conditions of this warranty.

This warranty does not cover normal wear of parts or damage resulting from any of the following: negligent use or misuse of the product, use on improper voltage or current, use contrary to the operating instructions, disassembly, repair or alteration by anyone other than JCS (Europe) or an authorized JCS (Europe) service centre. Further, the warranty does not cover: Acts of God, such as fire, flood, hurricanes and tornadoes.

What are the limits on JCS (Europe)'s Liability?

JCS (Europe) shall not be liable for any incidental or consequential damages caused by the breach of any express, implied or statutory warranty or condition.

Except to the extent prohibited by applicable law, any implied warranty or condition of merchantability or fitness for a particular purpose is limited in duration to the duration of the above warranty. JCS (Europe) disclaims all other warranties, conditions or representations, express, implied, statutory or otherwise. JCS (Europe) shall not be liable for any damages of any kind resulting from the purchase, use or misuse of, or inability to use the product including incidental, special, consequential or similar damages or loss of profits, or for any breach of contract, fundamental or otherwise, or for any claim brought against purchaser by any other party. Some provinces, states or jurisdictions do not allow the exclusion or limitation of incidental or consequential damages or limitations on how long an implied warranty lasts, so the above limitations or exclusion may not apply to you.

Waste electrical products should not be disposed of with household waste. Please recycle where facilities exist. E-mail us at enquiriesEurope@jardencs.com for further recycling and WEEE information.

Jarden Consumer Solutions (Europe) Limited
5400 Lakeside
Cheadle Royal Business Park
Cheadle
SK8 3GQ
UK




FITTING A PLUG

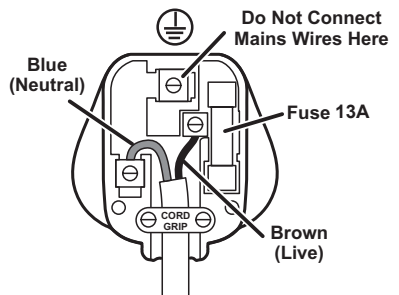
If the plug is not suitable for the socket outlets in your home, it can be removed and replaced by a plug of the correct type.

If the fuse in a moulded plug needs to be changed, the fuse cover must be refitted. The appliance must not be used without the fuse cover fitted.

If the plug is unsuitable, it should be dismantled and removed from the supply cord and an appropriate plug fitted as detailed. If you remove the plug it must not be connected to a 13 amp socket and the plug must be disposed of immediately.

If any other plug is used, a 13 amp fuse must be fitted either in the plug or adaptor or at the distributor board.

 This symbol shows that this unit is a Class II appliance so an earth connection is not required.





For Customer Service details, please see the website.

www.oster.com

© 2014 Jarden Consumer Solutions (Europe) Limited.

All rights reserved. Imported and distributed by Jarden Consumer Solutions (Europe) Limited, Cheadle Royal Business Park, Cheadle, SK8 3GQ, United Kingdom.

Jarden Consumer Solutions (Europe) Limited is a subsidiary of Jarden Corporation (NYSE: JAH).

The product supplied may differ slightly from the one illustrated due to continuing product development.

Printed In China